



MINIBAR COLLECTION

Introducing the Thermoelectric Mini Bar Fridge, available in 28L and 40L capacities. Utilizing efficient and silent thermoelectric cooling, it offers adjustable temperature control and maximum energy efficiency. Featuring removable shelves, fanless operation for quiet comfort, reversible door, and optional extras like interior lighting and locking mechanisms. No ammonia ensures easier logistics.


imperioso

MILAN 20



General Specifications

Material	Metal
Colour	Black With White Interior
Volume	20 Litres
Cooling Type	Thermo-Electric
Compartments	Vertical Compartments
Door Type	Drawer Door
Refrigerant	None

Electrical Specifications

Voltage	220-240V
Power	45W
Consumption	0,19 kWh/24h
Sound	21 dB (Class A)

PEARL 30



General Specifications

Material	Metal
Colour	Black With White Interior
Volume	30 litres
Cooling Type	Thermo-Electric
Compartments	2 Compartments Standard
Door Type	Solid Door Glass Door
Refrigerant	None

Electrical Specifications

Voltage	220-240V
Power	60W
Consumption	0,24 kWh/24h
Sound	21 dB (Class A)

ROMA 40



General Specifications

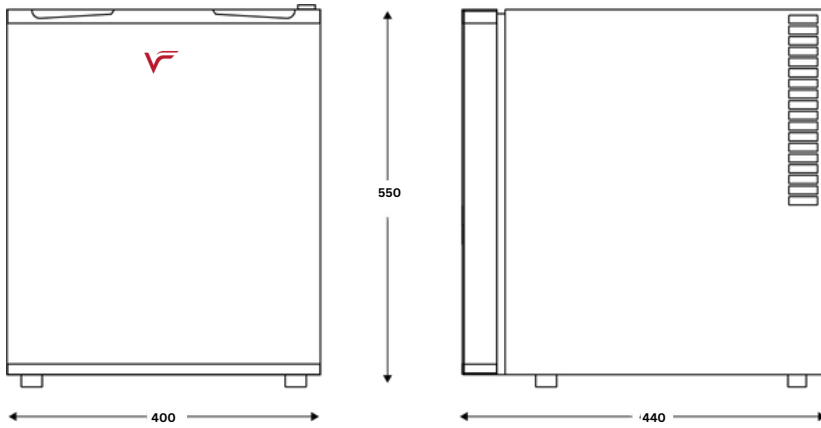
Material	Metal
Colour	Black With White Interior
Volume	40 Litres
Cooling Type	Thermo-Electric
Compartments	2 Compartments Standard
Door Type	Solid Door Glass Door
Refrigerant	None

Electrical Specifications

Voltage	220-240V
Power	50W
Consumption	0,26 kWh/24h
Sound	21 dB (Class A)

DIMENSION CHART

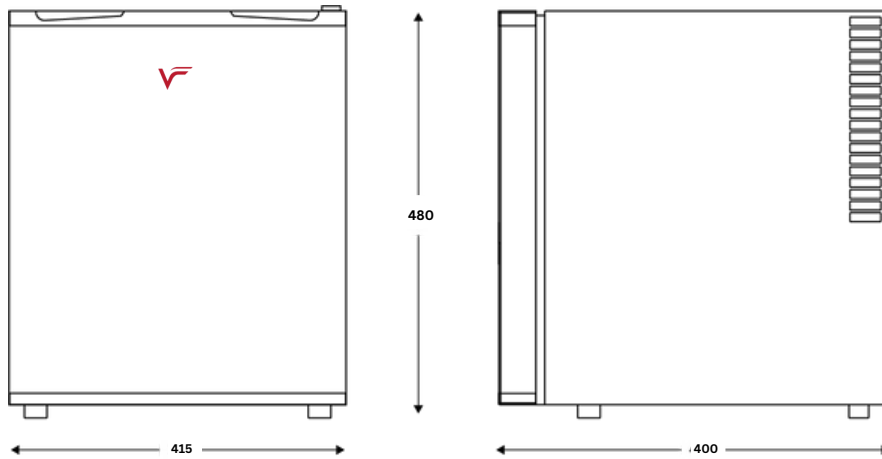
MILAN 20 MINIBAR



Dimension Specifications (mm)

Product	<u>D 440 X W 400 X H 550</u>
Package	450W X 415 D X 570H)
Net Weight	9.5KG
Gross Weight	11 KG

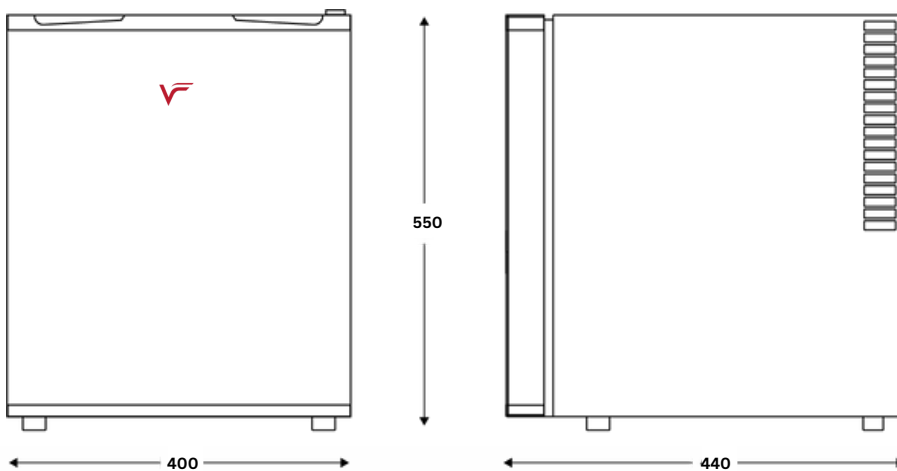
PEARL 30 MINIBAR



Dimension Specifications (mm)

Product	<u>D 400 x W 415 x H 480</u>
Package	420W X 425 D X 500H)
Net Weight	9.5KG
Gross Weight	11 KG

ROMA 40 MINIBAR



Dimension Specifications (mm)

Product	<u>D 440 X W 400 X H 550</u>
Package	450W X 415 D X 570H)
Net Weight	9.5KG
Gross Weight	11 KG

READ THESE INSTRUCTIONS CAREFULLY BEFORE THE INSTALLATION

IMPORTANT SAFETY PRECAUTIONS

Never attempt to install the appliance yourself, unless you are a suitable qualified technician. Doing so may affect its operation and safety

- This appliance must be installed by a qualified technician. Incorrect electrical connection can result in electrocution or short circuits.
 - For additional protection, the installation of a residual current device (RCD) having a rated residual operating current not exceeding 30 mA is advisable in the electrical circuit. Ask your installer for advice.
 - Never take off the appliance when it is connected.
 - **WARNING:** Keep ventilation opening in the appliance enclosure or in the builtin structure, clear of obstruction.
 - **WARNING:** Do not use mechanical devices or other means to accelerate the defrosting process, other than those recommended by the manufacturer.
 - **WARNING:** Do not damage the refrigerant circuit.
 - **WARNING:** Do not use electrical appliances inside the food storage compartments of the appliance, unless they are of the type recommended by the manufacturer. - **WARNING:** To avoid a hazard due to instability of the appliance, it must be fixed in accordance with the instructions
 - **WARNING:** When positioning the appliance, ensure the supply cord is not trapped or damaged.
 - **WARNING:** Do not locate multiple portable socket-outlets or portable power supplies at the rear of the appliance.
 - To avoid contamination of food, please respect the following instructions:
 - Opening the door for long periods can cause a significant increase of the temperature in the compartments of the appliance.
 - Clean regularly surfaces that can come in contact with food and accessible drainage systems.
 - If the refrigerating appliance is left empty for long periods, switch off, defrost, clean, dry.
-

INSTALLATION

ELECTRICAL CONNECTION

- Plug the minibar into a properly grounded electrical outlet. Ensure the outlet matches the voltage and amperage requirements specified in the minibar's user manual.
- **Do Not Use Extension Cords:** For safety reasons, plug the minibar directly into the wall outlet.
- Verify that the power cord is not damaged or pinched. If the cord is damaged, do not use the minibar until it has been repaired or replaced by a qualified technician.

VENTILATION

- The distance between cabinet wall and refrigerator side should be at least 20mm.
- The distance between cabinet wall and the top and the back should be at least 50mm.
- Don't block the air flow under the refrigerator.
- Entire cooling system should be considered in the ventilation. Ventilation is very important for this kind thermoelectric refrigerator; The inside PCB will be damaged if the ventilation is bad; It will also reduce the lifespan of the refrigerator.

TROUBLESHOOTING GUIDE

Minibar Not Cooling

Sound

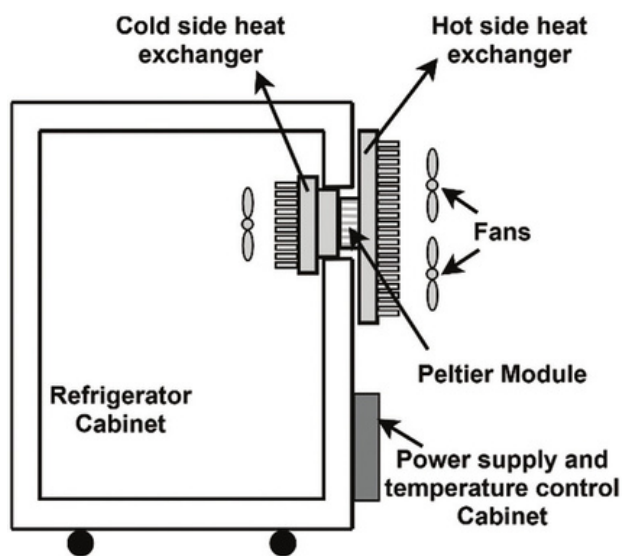
Vibration

Light not working

Door Seal Issues

- Not plugged in.
 - The circuit breaker tripped or a blown fuse.
 - The room temperature is hotter than normal.
 - The door is opened too often. The door is not closed completely.
 - The temperature control is not set correctly
-
- Check to assure that the refrigerator is level.
-
- Not plugged in
 - LED Light has burned
 - The circuit breaker tripped or a blown fuse. The LED light has burned out
-
- Ensure the door is properly aligned and the seal is intact.
 - Adjust the door from hinge if necessary.

SYSTEM DIAGRAM:



This marking indicates that this product should not be disposed with other household wastes throughout the EU. To prevent possible harm to the environment or human health from uncontrolled waste disposal, recycle it responsibly to promote the sustainable reuse of material resources. To return your used device, please use the return and collection systems or contact the retailer where the product was purchased. They can take this product for environmental safe recycling.


imperioso

info@imperiosoint.com
Official Licensed Distributor MENA
Masterful LLC, Sharjah, UAE
sales@masterfullc.com